
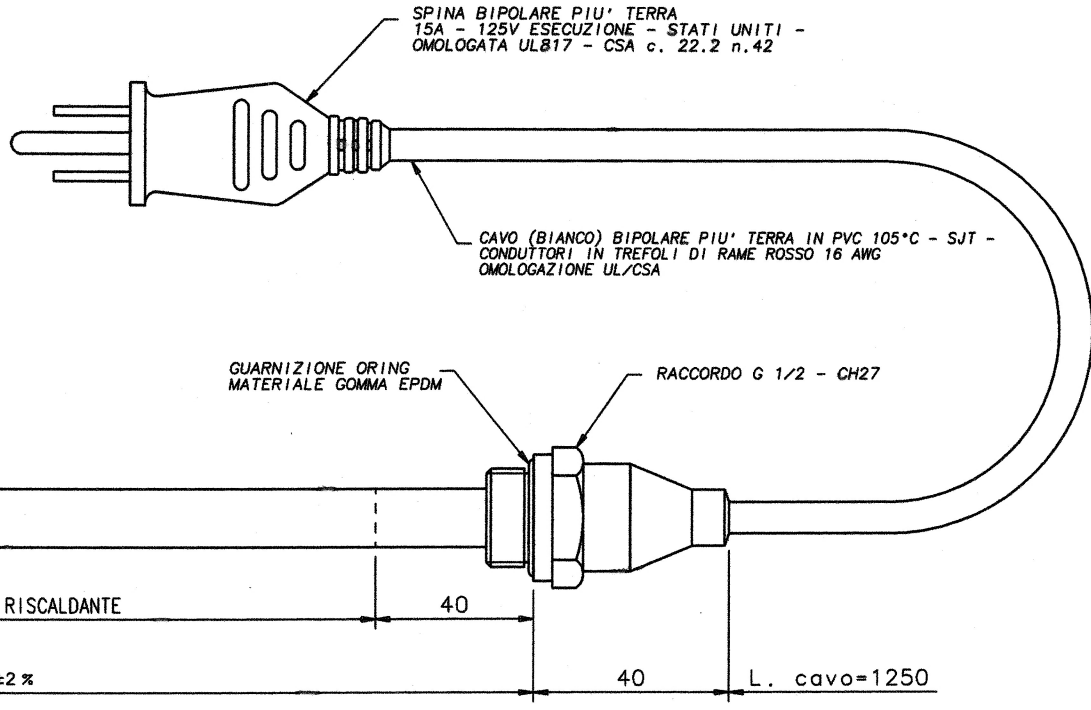


IL PRESENTE DISEGNO SI INTENDE APPROVATO SE NON PERVENGONO INDICAZIONI CONTRARIE ENTRO 2 GG DALLA TRASMISSIONE DELLO STESSO

TYPE 4886  IP55

COLORE RAL9010

ISOLAMENTO CLASSE I
GRADO DI PROTEZIONE IP55



Application

Assembling: - Vertical from the bottom
- Horizontal from the right or the left

The heater outlet must never be placed directly to the back-side of the dryer.

For every damage to the electric connections,
the heater must be sent back to the supplier or its quality service.

The substitution of electric connections is not admitted.

For heating elements without feeding plug, there must be a device
which assures disconnection from the net, with a 3mm opening distance
of the contacts.



After the installment of the heater, the feeding plug of the heating element
must be easily reachable.

MARCATURA: E112303 ORDINE DI LAVORO CODICE 4886

VOLT WATT RICA MM(Mese) / AA(Anno)



- WATER OR WATER PLUS GLYCOL IMMERSION HEATER
- MAX. HEATING ELEMENT SURFACE TEMPERATURE 100°C

Rif. Denominazione		U.M. Qta. Codice																	
 div. 		Descrizione CARTUCCIA 4886	Disegno N. 1CTPZK486																
DATA 01-12-04 DISEGN. DLR APPROV. FRP		Cliente RICA - DIV. DELLA I.																	
Materiale AIISI 321		REV. DATA FIRMA DATA FIRMA DESCRIZIONE MODIFICA																	
Marcatura:																			
Diam. Gaira 12.5																			
Ripr. Curve I.T.																			
Stigliatura 3.11.86																			
Tratt. Superficiale																			
MODIFICHE AL MASTER:																			
<table border="1"> <tr> <td>1</td> <td>V.Q.U.</td> <td>2</td> <td>INDUST./T. & M.</td> <td>3</td> <td>UFF. VIE</td> <td>4</td> <td>CLIENTE</td> </tr> <tr> <td>5</td> <td>CL. APPROV.</td> <td>6</td> <td>AGENZIE</td> <td>7</td> <td>U.T. RICA</td> <td></td> <td></td> </tr> </table>		1	V.Q.U.	2	INDUST./T. & M.	3	UFF. VIE	4	CLIENTE	5	CL. APPROV.	6	AGENZIE	7	U.T. RICA				
1	V.Q.U.	2	INDUST./T. & M.	3	UFF. VIE	4	CLIENTE												
5	CL. APPROV.	6	AGENZIE	7	U.T. RICA														

Pos.	CODICE CLIENTE	VOLT	WATT +5-10%	W/Cm ²	L
004		110	500	2.5	640
003		110	400	2.5	535
002		110	300	2.5	435
001		110	200	2.5	330

THIS DRAWING IS THE PROPERTY OF Zanussi Industries Group - RICA DIVISION
IT MUST NOT BE DISCLOSED, COPIED OR USED FOR PRODUCTION WITHOUT THEIR WRITTEN AUTHORIZATION

Stampato il 01-12-2004

THIS DRAWING IS CONSIDERED AS APPROVED IF NO SPECIFIC INSTRUCTIONS ARE RECEIVED WITHIN 2 DAYS FROM ITS FORWARDING.

FORMATO ORIGINALE: 420x297